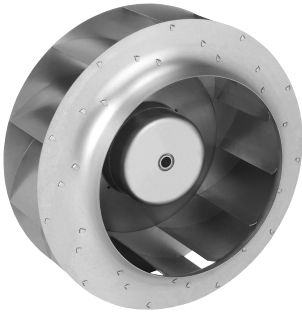


R1G280-AE47-52

EC centrifugal fan

backward curved, single inlet



ebm-papst Mulfingen GmbH & Co. KG

Bachmühle 2

74673 Mulfingen

Phone: +49 7938 81-0

Fax: +49 7938 81-110

www.ebmpapst.com

info1@de.ebmpapst.com

Nominal data

Type	R1G280-AE47-52	
Motor	M1G074-CF	
Nominal voltage	[VDC]	48
Nominal voltage range	[VDC]	36 .. 57
Type of data definition		rfa
Speed	[min ⁻¹]	1710
Power input	[W]	95
Current draw	[A]	2,3
Max. ambient temperature	[°C]	60
Air flow	[m ³ /h]	1750
Back pressure	[Pa]	0
Sound pressure level	[dB(A)]	71

ml = max. load · me = max. efficiency · rfa = running at free air · cs = customer specs · cu = customer unit
Subject to alterations

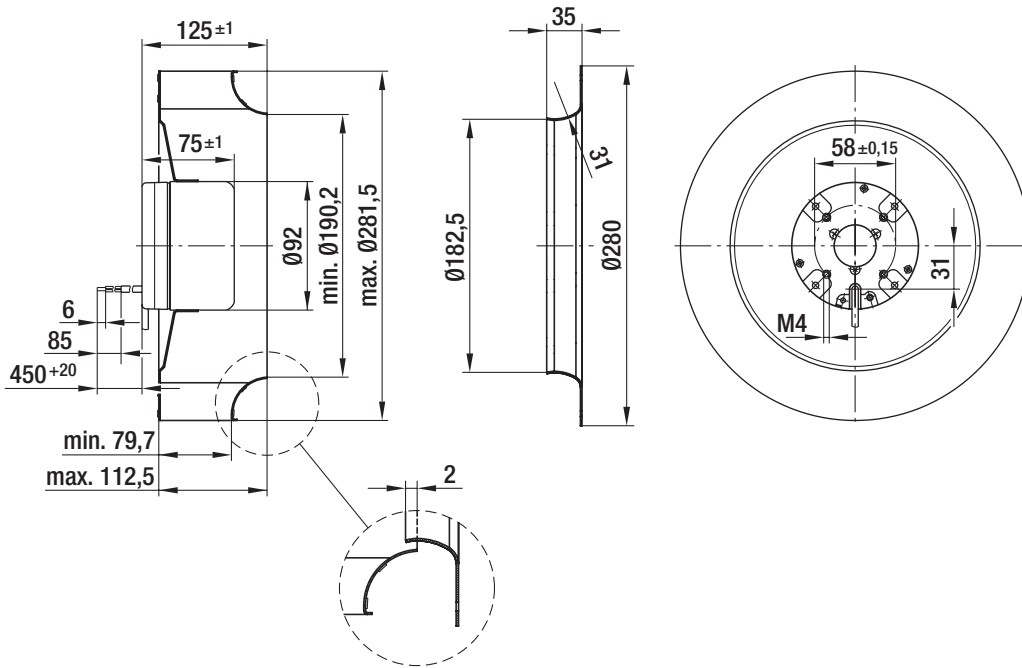
Technical features

Leakage current	<= 0,25 mA
Size	280 mm
Operation mode	Continuous operation (S1)
Direction of rotation	Clockwise, seen on rotor
Mounting position	Any
Insulation class	"B"
Cable exit	Variable
Bearing motor	Ball bearing
Mass	2.8 kg
Material of electronics housing	Rotor: Coated in black
Material of impeller	Sheet steel
Motor protection	Reverse polarity and locked-rotor protection
Number of blades	11
Type of protection	IP 42
Protection class	I
Technical features	Control input 0-10 VDC / PWM, tach output, polarity and locked rotor protection
Approval	CCC; CSA C22.2 Nr.77; UL 1004

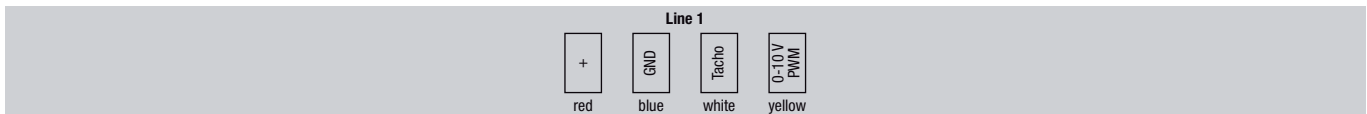
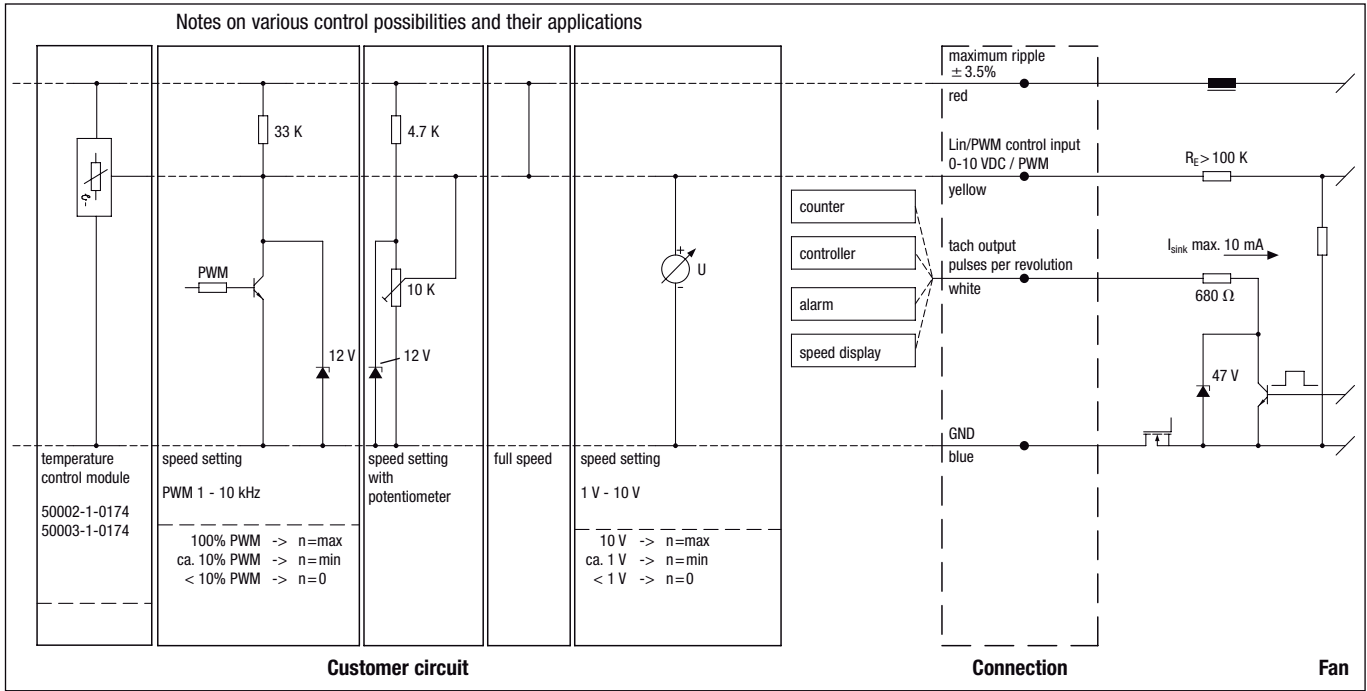
EC centrifugal fan

backward curved, single inlet

Product drawing

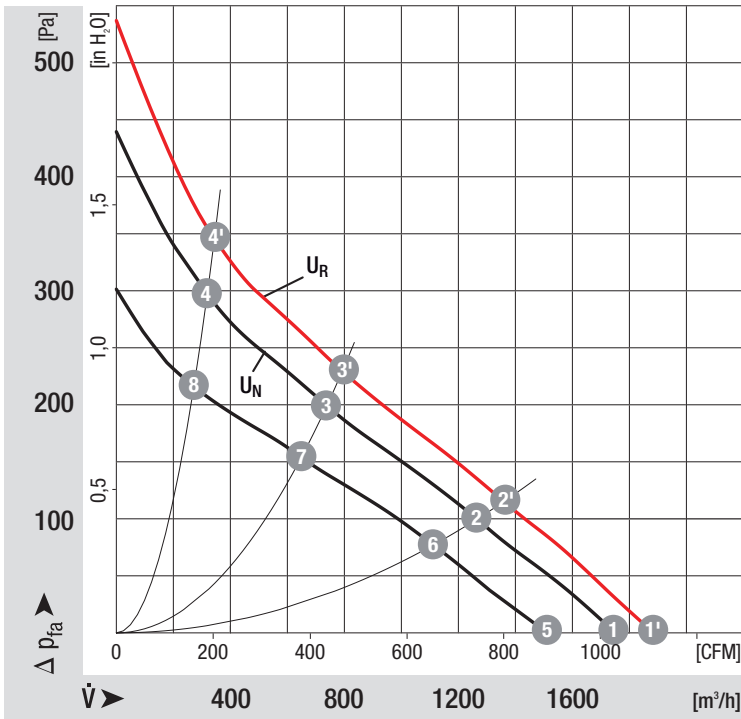


Connection screen



Line	Signal	Colour	Assignment / function	Line	Signal	Colour	Assignment / function
1	+	red	maximum ripple $\pm 3.5\%$	1	Tacho	white	Tach output: pulses per revolution
	GND	blue	GND		0-10 V / PWM	yellow	Control input

Charts: Air flow



Measured values

	n	P ₁	η _{TL}
	[min ⁻¹]	[W]	[%]
1'	1840	118	
2'	1650	127	55
3'	1670	126	55
4'	1950	114	31
1	1710	95	
2	1550	100	55
3	1560	100	55
4	1810	91	31
5	1470	60	
6	1360	68	55
7	1370	67	55
8	1530	56	31